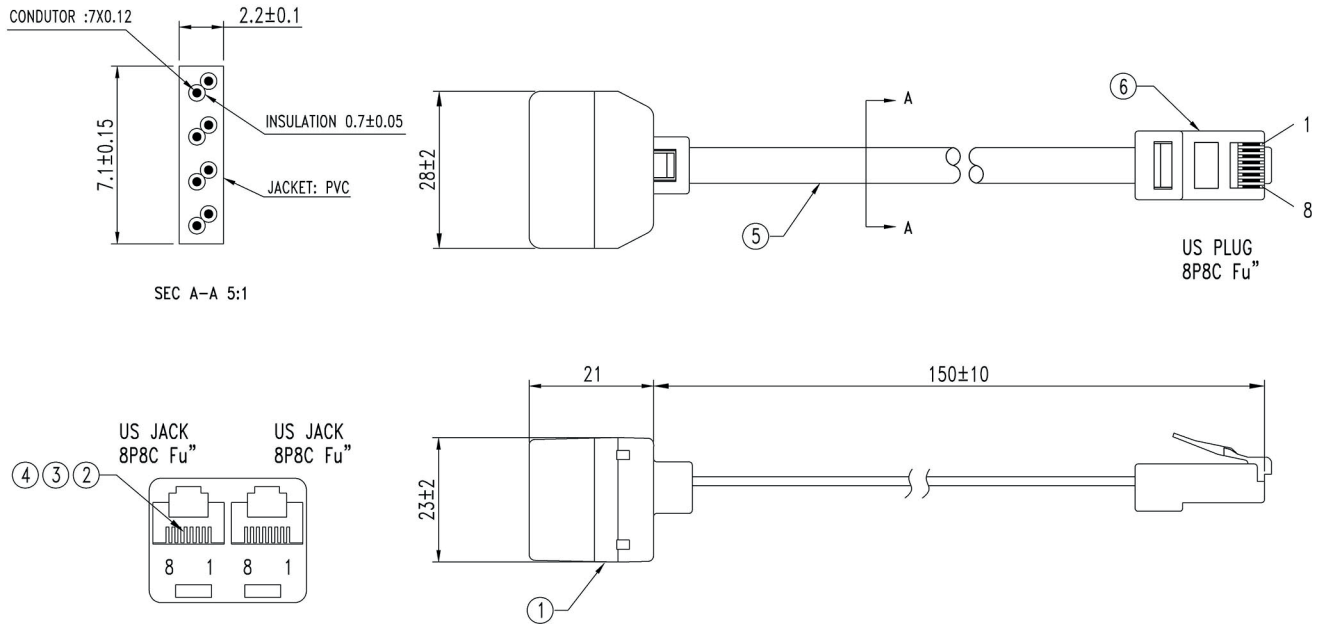


	REVISED	DATE	APP.
⚠			
⚠			
⚠			



US JACK1	US JACK2	US PLUG	COLOR
1	1	1	OR/WH
2	2	2	OR
3	3	3	GN/WH
4	4	4	BL
5	5	5	BL/WH
6	6	6	GN
7	7	7	BR/WH
8	8	8	BR

6	US PLUG	8P8C/ Fu*	1	TRANSPARENT	PC		
5	8C CABLE	28AWG/ CAT6	1	BACK	SEE SEC A-A		
4	SPRING	∅0.45mm/PLATED Fu*	8		PHOSPHOROUS BRONZE		
3	CRIMP TERMINAL		8		BRASS		
2	INSERT	8 HOLE	2	BACK	ABS		
1	HOUSING		1	BACK	ABS		
PART	NAME	DESCRIPTION	QTY	COLOR	MATERIAL	VENDER	REMARK

UNSIFTED TOLERANCE: ± 0.5

⌀	ISSUE: A	TITLE: TITLE: US JACK TO PLUG WITH LINE CORD
SHEET: 1/1	SIZE: A4	CUST: A108 CUST P/N:
SCALE 1:1	UNIT: MM	DWG NO.:
DRAW: LU	DATE: 11.11.16'	
CHECK:	APPROVE:	