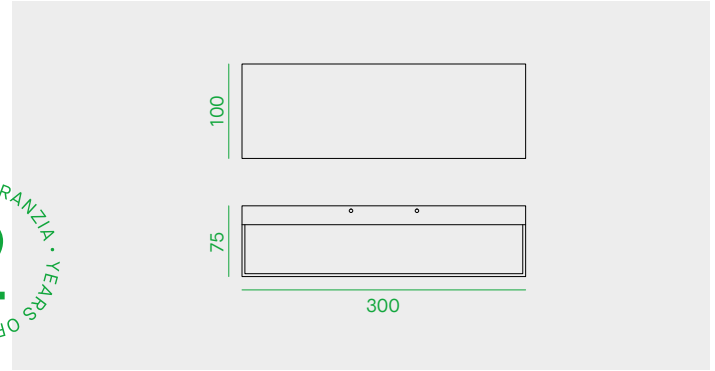




BA30/2A (Alluminio — Aluminium)

Code	Nominal lumen	W	CCT	Beam
BA30/2A/3K/W	4500	2x25	3000K	80x60°
BA30/2A/4K/W	5000	2x25	4000K	80x60°
BA30/2A/3K/G	4500	2x25	3000K	80x60°
BA30/2A/4K/G	5000	2x25	4000K	80x60°

2 ANNI DI GARANZIA • YEARS OF GUARANTEE



Apparecchio LED per installazione a parete, con fascio bidirezionale.

LED fitting for wall-mounted installation, with bi-direction emission.

Applique murale LED avec émission de lumière bidirectionnelle.

LED-Leuchter für Wandinstallation mit bi-direktionalem Strahl.

LED HONGLI.

HONGLI LED.

LED HONGLI.

HONGLI LED.

Life time 36.000h (rendimento 70%).

Life time 36.000h (70% lumen maintenance).

Durée de vie 36.000h (rendement 70%).

Lebensdauer 36.000h (Lichtstrom 70%).

Corpo in alluminio pressofuso a basso contenuto di rame, verniciato grigio o bianco.

Body in grey or white painted die-cast aluminium, copper free.

Corps en fonderie d'aluminium à faible teneur en cuivre.

Aluminiumdruckguss-Gehäuse mit niedrigem Kupferanteil.

L'apparecchio è dotato di base di fissaggio a parete pre cablata con morsetti ad innesto rapido.

The luminaire is equipped with wall mounting base including plug and play terminal block.

L'appareil est fourni avec base de fixation au mur pré-cablée avec borne de connexion rapide.

Leuchte geliefert mit Befestigungsbasis, vorverkabelt mit Schnellverbindungsanschluss, für Wandinstallation.

Vetro trasparente con diffusore microprismatico.

Transparent glass with micro prismatic diffuser.

Verre transparent avec diffuseur micro-prismatique.

Transparentes Glas mit mikroprismatischem Diffusor.

Guarnizioni in silicone. Viti in acciaio Inox.

Silicone gaskets. Stainless steel screws.

Joints en silicone. Vis en acier inox.

Silikondichtungen. Edelstahl-Schrauben.

Scheda LED dimmerabile a tensione di rete 220-240V.

220-240V dimmable LED board.

LED dimmable en tension 220-240V.

Dimmbare LED, Netzspannung 220-240V.

