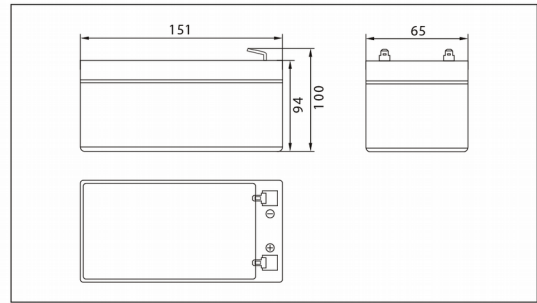


**Item Code:** 1112LI7,2-12

**Product description:** LI 7,2-12 ACCUMULATORE 12V 7,2Ah



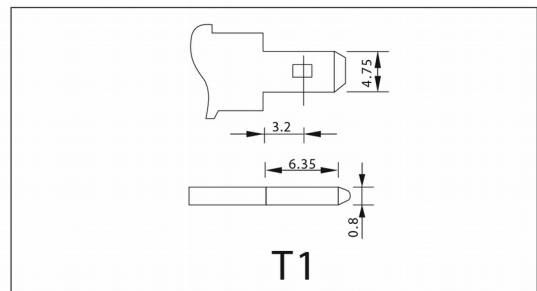
● **Outer dimensions (mm)**



● **Specifications**

Nominal Voltage		12V
Rated capacity (20 hour rate)		7.5 Ah
Dimensions	Total Height	100mm (3.94 inches)
	Height	94mm (3.70 inches)
	Length	151mm (5.94 inches)
	Width	65mm (2.56 inches)
Weight Approx		2.20Kg (4.84 lbs)

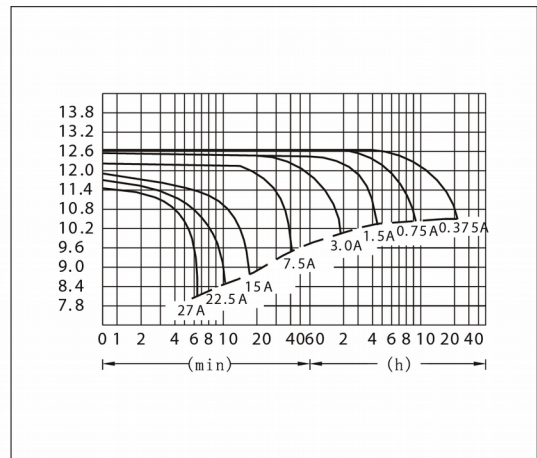
● **Terminal Type (mm)**



● **Characteristics**

Capacity 25 °C (77 °F)	20 hour rate (0.38 A)	7.50 AH
	10 hour rate (0.69 A)	6.90 AH
	5 hour rate (1.28 A)	6.40 AH
	1 hour rate (4.50 A)	4.50 AH
1.5 hour discharge to 10.5V		3.0 A
Internal Resistance	Full charged Battery at 25 °C (77 °F)	22m Ω
Capacity affected by Temperature (20hour rate)	40 °C (104 °F)	102%
	25 °C (77 °F)	100%
	0 °C (32 °F)	85%
	-15 °C (5 °F)	65%
Self-Discharge at 25 °C (77 °F)	Capacity after 3 month storage	91%
	Capacity after 6 month storage	82%
	Capacity after 12 month storage	64%
Terminal	T1, T2	
Charge (constant Voltage)	Cycle	Initial Charging Current less than 3.00A Voltage 14.40-14.70V
	Float	Voltage 13.50-13.80V

● **Discharge Curves 25 °C (77 °F)**



Constant Current(Amp) and Constant Power(Watt) Discharge Table at 25 °C (77 °F)													
Time		5min	10min	15min	30min	1h	2h	3h	4h	5h	8h	10h	20h
9.60V	A	27.0	17.7	13.1	8.63	4.50	2.63	1.93	1.55	1.32	0.87	0.71	0.390
	W	318.4	200.0	151.3	91.6	51.9	30.4	22.34	17.94	15.22	10.03	8.22	4.50
10.20V	A	24.8	16.9	12.1	8.19	4.22	2.52	1.88	1.50	1.29	0.85	0.70	0.380
	W	299.7	189.4	142.2	90.9	48.8	29.2	21.72	17.38	14.94	9.88	8.06	4.37
10.50V	A	22.5	15.8	11.3	7.94	4.09	2.47	1.84	1.43	1.28	0.84	0.69	0.375
	W	289.4	183.8	135.9	90.0	47.3	28.6	21.34	16.50	14.84	9.78	8.00	4.34
10.80V	A	21.7	15.1	10.5	7.72	3.95	2.41	1.81	1.40	1.22	0.82	0.67	0.370
	W	253.7	178.1	130.9	89.7	45.9	28.0	21.09	16.30	14.2	9.38	7.81	4.25
11.10V	A	20.0	14.3	9.75	7.50	3.81	2.34	1.72	1.37	1.17	0.80	0.66	0.360
	W	245.3	172.2	124.7	89.1	45.3	27.8	20.5	16.25	13.9	9.06	7.66	4.22



**ISO 14001: 2004**  
Sistema di gestione ambientale



**CI ITPI: 2015**  
100% Made in Italy  
Certificate



**ISO 9001: 2008**  
Sistema di gestione della qualità



**OHSAS 18001: 2007**  
Sistema di gestione per la salute e sicurezza sul lavoro

**LINCE ITALIA S.p.A.**

