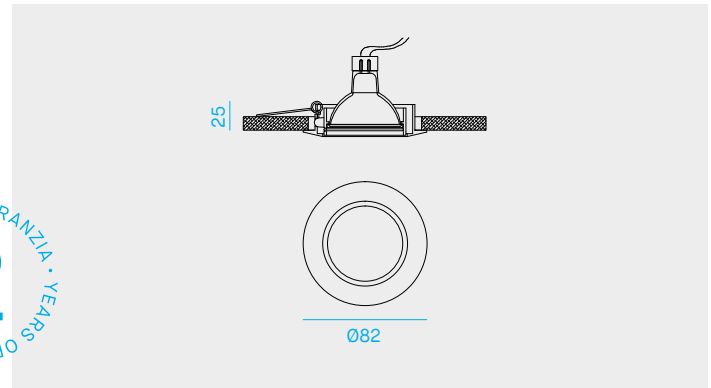



4112/H

Codice - Code	W	V	Lamp holder
4112/H/BI	50	220-240	GU10
4112/H/GD	50	220-240	GU10
4112/H/CR	50	220-240	GU10
4112/H/NS	50	220-240	GU10



2 ANNI DI GARANZIA
2 YEARS OF WARRANTY



Incasso orientabile.

Adjustable recessed fitting.

Appareil à encastrer orientable.

Verstellbare Einbauleuchte.

Finiture in metallo.

Metal finishing.

Finitions en métal.

Metall Ausführung.

Lampada non inclusa.

Lamp not included.

Lampe pas incluse.

Lampe nicht enthalten.