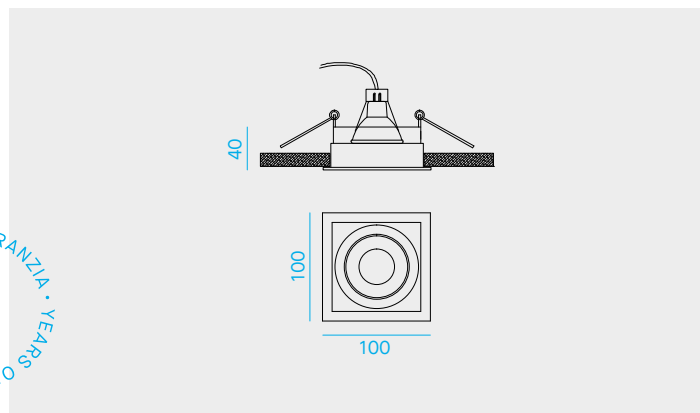




9112

Codice - Code	W	V	Lamp holder
9112/BI	50	220-240	GU10



2 ANNI DI GARANZIA • YEARS OF GUARANTEE

 92x92 mm	BI	IP20	CE			A++	A+	A	B	C	D	E
---	----	------	----	---	---	-----	----	---	---	---	---	---

Incasso orientabile.

Adjustable recessed fitting.

Appareil à encastrer orientable.

Verstellbare Einbauleuchte.

Struttura in alluminio.

Aluminium structure.

Corps en aluminium.

Aluminium-Struktur.

\* Lampada non inclusa. Dato indicativo di una lampada tipo.

\* Lamp not included. General dimension of standard lamp

\* Lampe pas incluse. Information générique d'une lampe exemple.

\* Lampe nicht enthalten. Allgemeine Information durch einen Lampen-Typ.