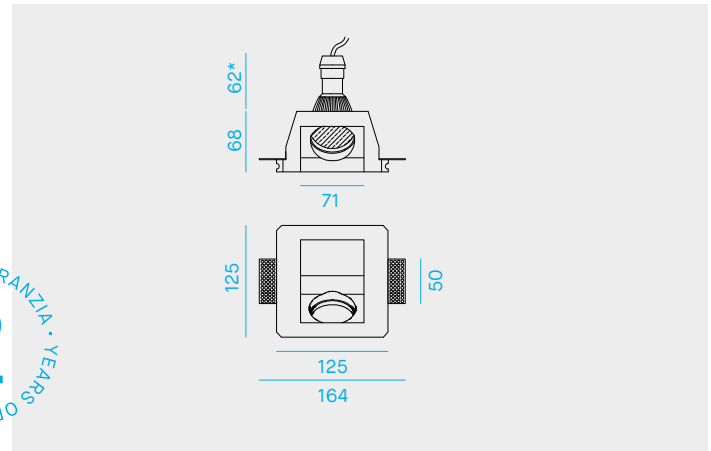
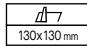







9109

Codice - Code	W	V	Lamp holder
9109	50	220-240	GU10

2 ANNI DI GARANZIA • YEARS OF GUARANTEE



 130x130 mm	 IP20	 CE			A++	A+	A	B	C	D	E
---	--	--	---	---	-----	----	---	---	---	---	---

Incasso a scomparsa totale, installazione in soffitto di cartongesso.

Recessed perfectly ceiling-integrated for plasterboard installation.

Encastrés en plâtre au faux-plafond.

Gipseinbauleuchte für Gipskartondecken.

Corpo in gesso. Incasso asimmetrico 45°.

Body in gypsum. 45° asymmetric version.

Corps en plâtre. Encastré asymétrique 45°.

Gehäuse aus Gips. Einbau asymmetrisch 45°.

Portalampane incluso nella confezione.

Lamp holder included.

Douille inclus dans l'emballage.

Fassung enthalten.

* Lampada non inclusa. Dato indicativo di una lampada tipo.

** Lamp not included. General dimension of standard lamp*

* Lampe pas incluse. Information générale d'une lampe exemple.

** Lampe nicht enthalten. Allgemeine Information durch einen Lampen-Typ.*