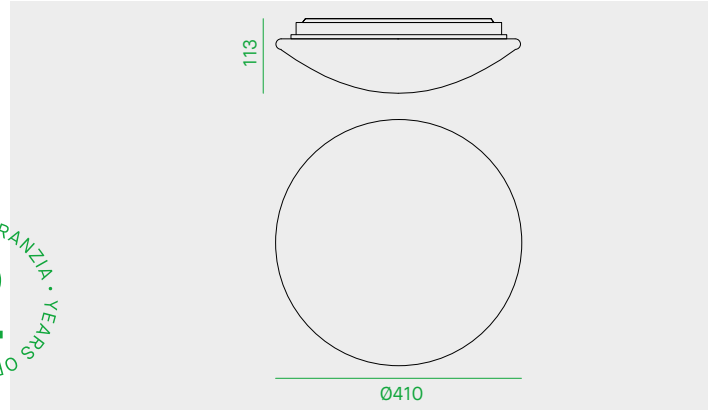




PL40

Code	Nominal lumen	W	CCT	Beam
PL40/3K	3000	30	3000K	120°
PL40/4K	3100	30	4000K	120°



2 ANNI DI GARANZIA • YEARS OF GUARANTEE



Plafoniera LED per installazione a soffitto o a parete.

LED fitting for ceiling or wall mounted installation.

Plafonnier LED pour installation au plafond ou au mur.

LED Decken- Wandleuchten.

LED LG 5630.

LG 5630 LED.

LED LG 5630.

LG 5630 LED.

Life time 36.000h (rendimento 70%).

Life time 36.000h (70% lumen maintenance).

Durée de vie 36.000h (rendement 70%).

Lebensdauer 36.000h (Lichtstrom 70%).

Corpo in acciaio verniciato bianco.

White painted steel body.

Corps en acier peint blanc.

Gehäuse aus weiss lackiertem Stahl.

Diffusore in policarbonato opale.

Opal polycarbonate diffuser.

Diffuseur en polycarbonate opale.

Opal-Polykarbonat Diffuser.

Alimentatore 220-240V - 50/60Hz incluso.

220-240V - 50/60Hz power supply included.

Alimentation 220-240V - 50/60Hz incluse.

Netzgerät 220-240V - 50/60Hz enthalten.

