

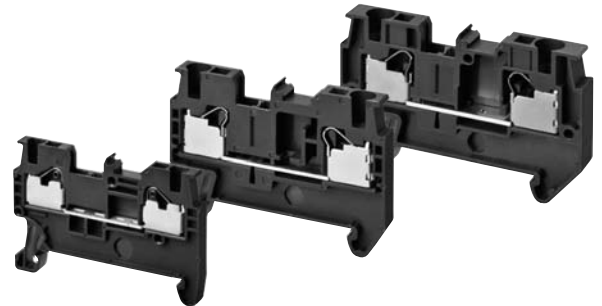
DIN Track Push-in Terminal Blocks

XW5T

Push-in Plus Terminal Blocks to Downsize Control Panels and Save Work



- Push-in Plus terminal blocks are more compact than traditional screw terminal blocks.
No loosening means maintenance-free application.
- Slim models available down to a width of 3.5 mm to help downsize control panels.
- Light insertion force and strong holding strength to achieve both less wiring work and high reliability.
- 'Hand-free' structure that holds an inserted screwdriver to achieve easier wiring work in comparison with attaching crimp terminals.



For the most recent information on models that have been certified for safety standards, refer to your OMRON website.



Refer to *Safety Precautions* on page 8.

Model Number Legend

Feed Through Terminal Blocks

XW5T - P□-□-□□
(1) (2) (3)(4)

(1) Maximum Applicable
Stranded Wire
1.5: 1.5mm²
2.5: 2.5mm²
4.0: 4.0mm²

(2) Wiring
1.1: 1:1 ○—○
1.2: 1:2 ○—○—○
2.2: 2:2 ○—○—○—○

Grounding Terminal Blocks

XW5G - P□-□-□
(1) (2) (3)

(3) Number of Tiers
1: 1 tier
2: 2 tiers

(4) Color
Blank: Dark gray
BL: Blue

XW5T

Ordering Information

Product type	Applicable wire sizes	Applicable wire sizes with ferrules attached	Color	Wiring	Tiers	Model
Feed Through Terminal Blocks	0.08 mm ² to 1.5 mm ² AWG 28 to AWG 14	0.14 mm ² to 1.0 mm ² AWG 26 to AWG 18	Dark gray	1:1	1 tier	XW5T-P1.5-1.1-1
				1:2		XW5T-P1.5-1.2-1
				2:2		XW5T-P1.5-2.2-1
			Blue	1:1	2 tiers	XW5T-P1.5-1.1-2
				1:2		XW5T-P1.5-1.1-1BL
				2:2		XW5T-P1.5-1.2-1BL
	0.14 mm ² to 4.0 mm ² AWG 26 to AWG 12	0.14 mm ² to 2.5 mm ² AWG 26 to AWG 14	Dark gray	1:1	1 tier	XW5T-P2.5-1.1-1
			Blue	1:1	1 tier	XW5T-P2.5-1.1-1BL
			Dark gray	1:1	1 tier	XW5T-P4.0-1.1-1
			Blue	1:1	1 tier	XW5T-P4.0-1.1-1BL
0.2 mm ² to 6.0 mm ² AWG 24 to AWG 10	0.2 mm ² to 4.0 mm ² AWG 24 to AWG 12	Dark gray	1:1	1 tier	XW5G-P1.5-1.1-1	
			1:2	1 tier	XW5G-P1.5-1.2-1	
		Green/yellow	2:2	1 tier	XW5G-P1.5-2.2-1	
			1:1	2 tiers	XW5G-P1.5-1.1-2	
0.14 mm ² to 4.0 mm ² AWG26 to AWG 12	0.14 mm ² to 2.5 mm ² AWG 26 to AWG 14	Dark gray	1:1	1 tier	XW5G-P2.5-1.1-1	
			Blue	1:1	1 tier	XW5G-P2.5-1.1-1BL
		Blue	1:1	1 tier	XW5G-P4.0-1.1-1	
			1:1	1 tier	XW5G-P4.0-1.1-1BL	

Accessories

Short Bars

For XW5T-P1.5-□ or XW5G-P1.5-□

No. of poles	Colors	Model
2	Red (RD) Blue(BL) Yellow (YL)	XW5S-P1.5-2□□
3		XW5S-P1.5-3□□
4		XW5S-P1.5-4□□
5		XW5S-P1.5-5□□
10		XW5S-P1.5-10□□

For XW5T-P2.5-□ or XW5G-P2.5-□

No. of poles	Colors	Model
2	Red (RD) Blue(BL) Yellow (YL)	XW5S-P2.5-2□□
3		XW5S-P2.5-3□□
4		XW5S-P2.5-4□□
5		XW5S-P2.5-5□□
10		XW5S-P2.5-10□□

For XW5T-P4.0-□ or XW5G-P4.0-□

No. of poles	Colors	Model
2	Red (RD) Blue(BL) Yellow (YL)	XW5S-P4.0-2□□
3		XW5S-P4.0-3□□
4		XW5S-P4.0-4□□
5		XW5S-P4.0-5□□
10		XW5S-P4.0-10□□

Labels

Applicable Terminal Blocks	Model	Description	
XW5T-P1.5-□	XW5Z-P1.5LB1	For Top 1 sheet (102 pieces)	
		XW5Z-P1.5LB2	For Side 1 sheet (108 pieces)
			XW5Z-P2.5LB1
XW5T-P2.5-□	XW5Z-P2.5LB2	For Side 1 sheet (72 pieces)	
	XW5T-P4.0-□	XW5Z-P4.0LB1	For Top 1 sheet (60 pieces)
XW5Z-P4.0LB2		For Side 1 sheet (60 pieces)	

End Cover

Applicable Terminal Blocks	Model
XW5□-P1.5-1.1-1	XW5E-P1.5-1.1-1
XW5□-P1.5-1.1-2	XW5E-P1.5-1.1-2
XW5□-P1.5-1.2-1	XW5E-P1.5-1.2-1
XW5□-P1.5-2.2-1	XW5E-P1.5-2.2-1
XW5□-P2.5-1.1-1	XW5E-P2.5-1.1-1
XW5□-P4.0-1.1-1	XW5E-P4.0-1.1-1

End Brackets/Separator Plates

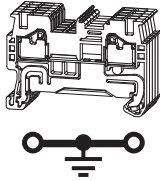
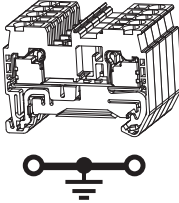
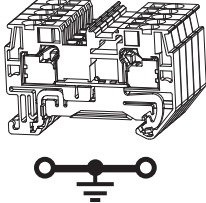
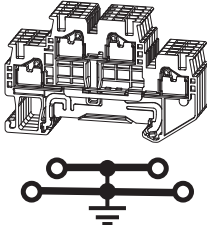
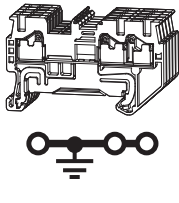
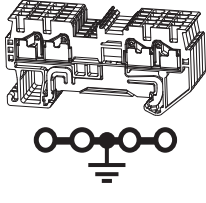
Name	Width (mm)	Model
End Brackets	6	XW5Z-EP6
Separator Plates	12	XW5Z-EP12

Ratings and Performance

Feed Through Terminal Blocks

	1 tier, 1:1				1 tier, 1:1				1 tier, 1:1			
Appearance and internal wiring												
Applicable wire sizes	0.08 to 1.5 mm ² (Stranded wires: 0.08 to 1.5 mm ² , Solid wire: 0.14 to 1.5 mm ²) AWG28 to AWG14				0.14 to 4.0 mm ² (Stranded wires: 0.14 to 2.5 mm ² , Solid wire: 0.14 to 4.0 mm ²) AWG26 to AWG12				0.2 to 6.0 mm ² (Stranded wires: 0.2 to 4.0 mm ² , Solid wire: 0.2 to 6.0 mm ²) AWG24 to AWG10			
Model	XW5T-P1.5-1.1-1(BL)				XW5T-P2.5-1.1-1(BL)				XW5T-P4.0-1.1-1(BL)			
Dimensions	3.5x45x30.5				5.2x48.8x35.25				6.2x56.1x35.25			
IEC rated voltage	500 V				800 V							
IEC rated current	17.5 A/1.5 mm ² (SOL), 13.5 A/1.0 mm ² (STR)				24 A/2.5 mm ² (SOL), 17.5 A/1.5 mm ² (STR)				32 A/4.0 mm ² (SOL), 24 A/2.5 mm ² (STR)			
Usage Group (UG)	B, C		D		B, C							
UL rated voltage	300 V		51-150 V		151-300 V		301-600 V		600 V			
UL rated current	15 A (SOL), 10 A (STR)		15 A (SOL), 10 A (STR)		10 A		5 A		20 A/AWG12 (SOL), 15 A/AWG14 (STR)		30 A/AWG10 (SOL), 20 A/AWG12 (STR)	
Dielectric strength	1,890 VAC for 1 min (leakage current: 1 mA max.)				2,000 VAC for 1 min (leakage current: 1 mA max.)							
Operating temperature range	-40 to 55°C (with no condensation or icing)											
Operating humidity range	5% to 95%											
Compliant standards	cULus (UL 1059) and IEC 60947-7-1											
Insertion durability	50 times											
Vibration resistance	10 to 150 Hz Acceleration 50m/s ² for 80 min each in X, Y, and Z directions											
Shock resistance	500 m/s ² 11 ms, each in 6 directions 5 times											
End Cover	XW5E-P1.5-1.1-1				XW5E-P2.5-1.1-1				XW5E-P4.0-1.1-1			
Special tool	XW4Z-00B											
Applicable nameplates	XW5Z-P1.5LB□ or commercially available nameplate with 9.5 mm width and 0.5 mm thickness				XW5Z-P2.5LB□ or commercially available nameplate with 9.5 mm width and 0.5 mm thickness				XW5Z-P4.0LB□ or commercially available nameplate with 9.5 mm width and 0.5 mm thickness			
Applicable Short Bars	XW5S-P1.5-□ (□: Poles = 2, 3, 4, 5 or 10)				XW5S-P2.5-□ (□: Poles = 2, 3, 4, 5 or 10)				XW5S-P4.0-□ (□: Poles = 2, 3, 4, 5 or 10)			
Weight	Approx. 3.3 g				Approx. 6.3 g				Approx. 8.2 g			
	2 tiers, 1:1				1 tier, 1:2				1 tier, 2:2			
Appearance and internal wiring												
Applicable wire sizes	0.08 to 1.5 mm ² (Stranded wires: 0.08 to 1.5 mm ² , Solid wire: 0.14 to 1.5 mm ²) AWG28 to AWG14											
Model	XW5T-P1.5-1.1-2(BL)				XW5T-P1.5-1.2-1(BL)				XW5T-P1.5-2.2-1(BL)			
Dimensions	3.5x65.7x41.1				3.5x54.1x30.5				3.5x63.2x30.5			
IEC rated voltage	500 V											
IEC rated current	17.5 A/1.5 mm ² (SOL), 13.5 A/1.0 mm ² (STR)											
Usage Group (UG)	B, C		D		B, C							
UL rated voltage	300 V		51-150 V		151-300 V		301-600 V		600 V			
UL rated current	15 A (SOL), 10 A (STR)		15 A (SOL), 10 A (STR)		10 A		5 A					
Dielectric strength	1,890 VAC for 1 min (leakage current: 1 mA max.)											
Operating temperature range	-40 to 55°C (with no condensation or icing)											
Operating humidity range	5% to 95%											
Compliant standards	cULus (UL 1059) and IEC 60947-7-1											
Insertion durability	50 times											
Vibration resistance	10 to 150 Hz Acceleration 50m/s ² for 80 min each in X, Y, and Z directions											
Shock resistance	500 m/s ² 11 ms, each in 6 directions 5 times											
End Cover	XW5E-P1.5-1.1-2				XW5E-P1.5-1.2-1				XW5E-P1.5-2.2-1			
Special tool	XW4Z-00B											
Applicable nameplates	XW5Z-P1.5LB2				XW5Z-P1.5LB□ or commercially available nameplate with 9.5 mm width and 0.5 mm thickness							
Applicable Short Bars	XW5S-P1.5-□ (□: Poles = 2, 3, 4, 5 or 10)											
Weight	Approx. 6.6 g				Approx. 4.1 g				Approx. 4.8 g			

Grounding Terminal Blocks

Appearance and internal wiring	1 tier, 1:1 	1 tier, 1:1 	1 tier, 1:1 
	Applicable wire sizes	0.08 to 1.5 mm ² (Stranded wires: 0.08 to 1.5 mm ² , Solid wire: 0.14 to 1.5 mm ²) AWG28 to AWG14	0.14 to 4.0 mm ² (Stranded wires: 0.14 to 2.5 mm ² , Solid wire: 0.14 to 4.0 mm ²) AWG26 to AWG12
Model	XW5G-P1.5-1.1-1	XW5G-P2.5-1.1-1	XW5G-P4.0-1.1-1
Dimensions	3.5x45x30.5	5.2x48.8x35.25	6.2x56.1x35.25
IEC rated voltage	500 V	800 V	
Operating temperature range	-40 to 55°C (with no condensation or icing)		
Operating humidity range	5% to 95%		
Compliant standards	cULus (UL 1059) and IEC 60947-7-2		
Insertion durability	50 times		
Vibration resistance	10 to 150 Hz Acceleration 50m/s ² for 80 min each in X, Y, and Z directions		
Shock resistance	500 m/s ² 11 ms, each in 6 directions 5 times		
End Cover	XW5E-P1.5-1.1-1	XW5E-P2.5-1.1-1	XW5E-P4.0-1.1-1
Special tool	XW4Z-00B		
Applicable nameplates	XW5Z-P1.5LB□ or commercially available nameplate with 9.5 mm width and 0.5 mm thickness	XW5Z-P2.5LB□ or commercially available nameplate with 9.5 mm width and 0.5 mm thickness	XW5Z-P4.0LB□ or commercially available nameplate with 9.5 mm width and 0.5 mm thickness
Applicable Short Bars	XW5S-P1.5-□ (□: Poles = 2, 3, 4, 5 or 10)	XW5S-P2.5-□ (□: Poles = 2, 3, 4, 5 or 10)	XW5S-P4.0-□ (□: Poles = 2, 3, 4, 5 or 10)
Weight	Approx. 4.7 g	Approx. 9.9 g	Approx. 11.7 g
Appearance and internal wiring	2 tiers, 1:1 	1 tier, 1:2 	1 tier, 2:2 
	Applicable wire sizes	0.08 to 1.5 mm ² (Stranded wires: 0.08 to 1.5 mm ² , Solid wire: 0.14 to 1.5 mm ²) AWG28 to AWG14	
Model	XW5G-P1.5-1.1-2	XW5G-P1.5-1.2-1	XW5G-P1.5-2.2-1
Dimensions	3.5x65.7x41.1	3.5x54.1x30.5	3.5x63.2x30.5
IEC rated voltage	500 V		
Operating temperature range	-40 to 55°C (with no condensation or icing)		
Operating humidity range	5% to 95%		
Compliant standards	cULus (UL 1059) and IEC 60947-7-2		
Insertion durability	50 times		
Vibration resistance	10 to 150 Hz Acceleration 50m/s ² for 80 min each in X, Y, and Z directions		
Shock resistance	500 m/s ² 11 ms, each in 6 directions 5 times		
End Cover	XW5E-P1.5-1.1-2	XW5E-P1.5-1.2-1	XW5E-P1.5-2.2-1
Special tool	XW4Z-00B		
Applicable nameplates	XW5Z-P1.5LB2	XW5Z-P1.5LB□ or commercially available nameplate with 9.5 mm width and 0.5 mm thickness	
Applicable Short Bars	XW5S-P1.5-□ (□: Poles = 2, 3, 4, 5 or 10)		
Weight	Approx. 8.2 g	Approx. 5.5 g	Approx. 6.3 g

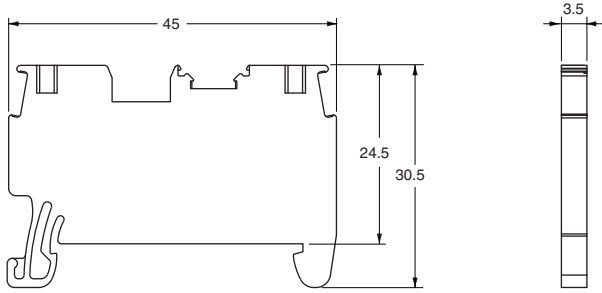
Short Bars

Model	XW5S-P1.5-□	XW5S-P2.5-□	XW5S-P4.0-□
Rated voltage	500 V	800 V	
Rated current	17.5 A	24 A	32 A

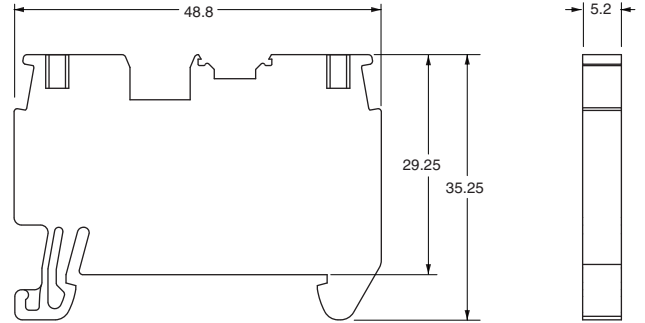
Dimensions

DIN Track Terminal Blocks

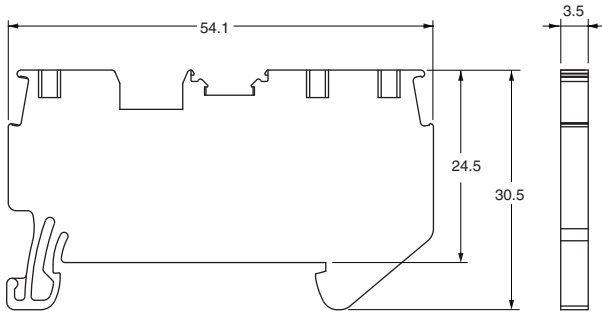
XW5T-P1.5-1.1-1(BL)/XW5G-P1.5-1.1-1



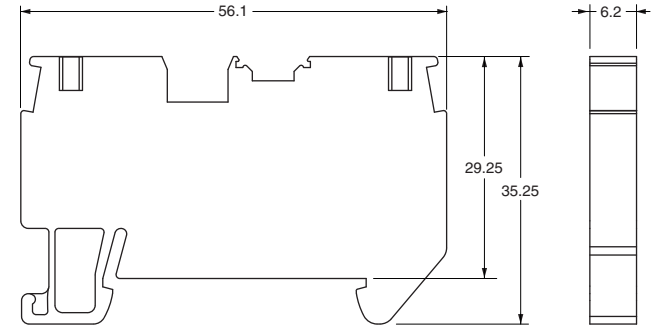
XW5T-P2.5-1.1-1(BL)/XW5G-P2.5-1.1-1



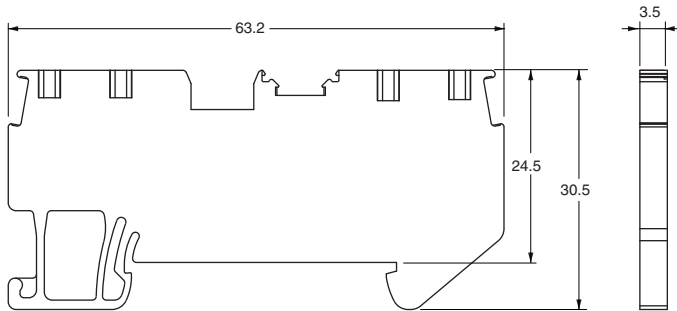
XW5T-P1.5-1.2-1(BL)/XW5G-P1.5-1.2-1



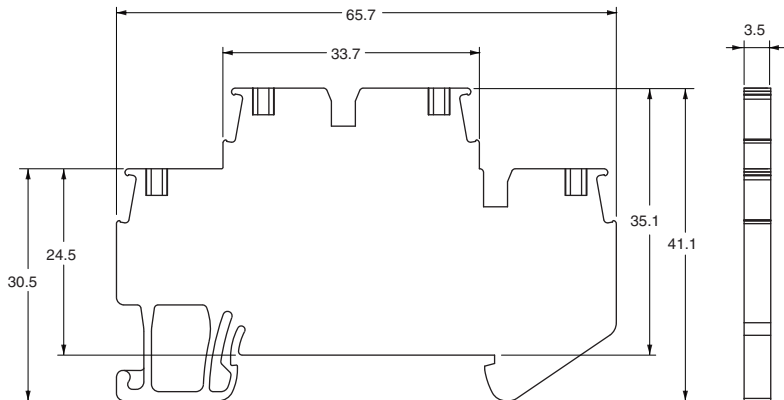
XW5T-P4.0-1.1-1(BL)/XW5G-P4.0-1.1-1



XW5T-P1.5-2.2-1(BL)/XW5G-P1.5-2.2-1



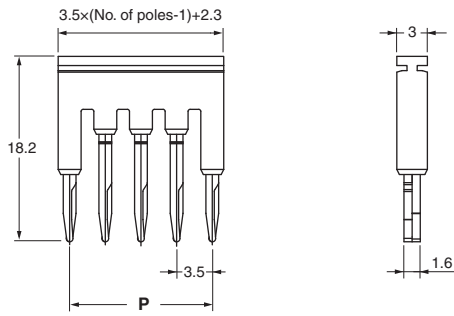
XW5T-P1.5-1.1-2(BL)/XW5G-P1.5-1.1-2



XW5T

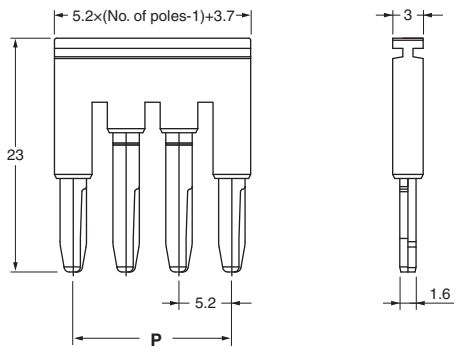
Short Bars

XW5S-P1.5-□



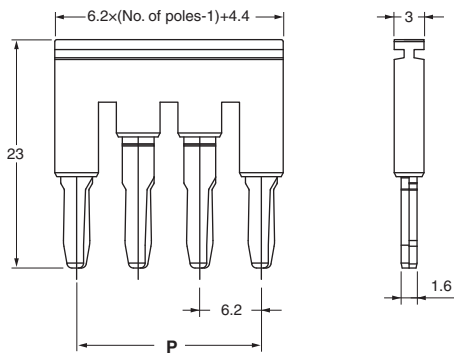
Model	P (mm)
XW5S-P1.5-2□	3.5
XW5S-P1.5-3□	7
XW5S-P1.5-4□	10.5
XW5S-P1.5-5□	14
XW5S-P1.5-10□	31.5

XW5S-P2.5-□



Model	P (mm)
XW5S-P2.5-2□	5.2
XW5S-P2.5-3□	10.4
XW5S-P2.5-4□	15.6
XW5S-P2.5-5□	20.8
XW5S-P2.5-10□	46.8

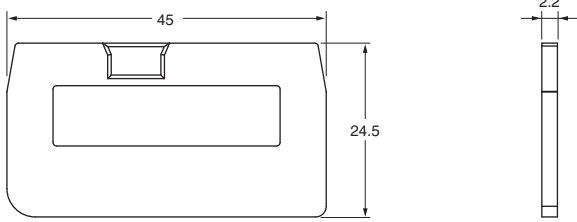
XW5S-P4.0-□



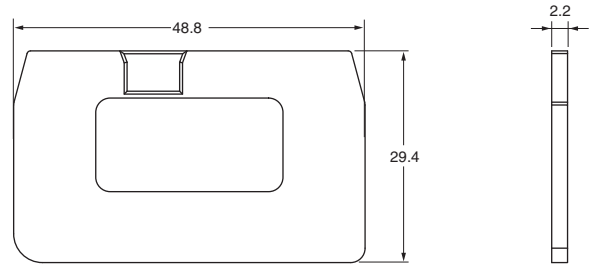
Model	P (mm)
XW5S-P4.0-2□	6.2
XW5S-P4.0-3□	12.4
XW5S-P4.0-4□	18.6
XW5S-P4.0-5□	24.8
XW5S-P4.0-10□	55.8

End Cover

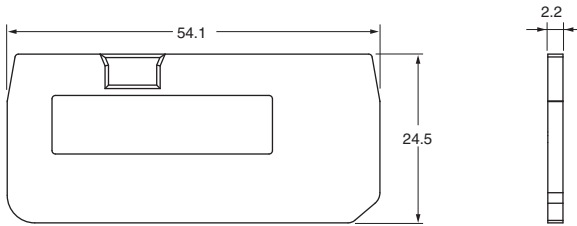
XW5E-P1.5-1.1-1



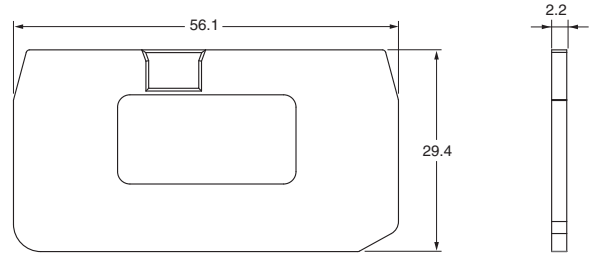
XW5E-P2.5-1.1-1



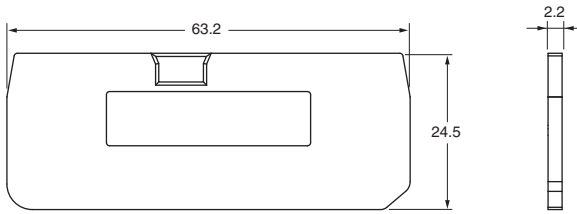
XW5E-P1.5-1.2-1



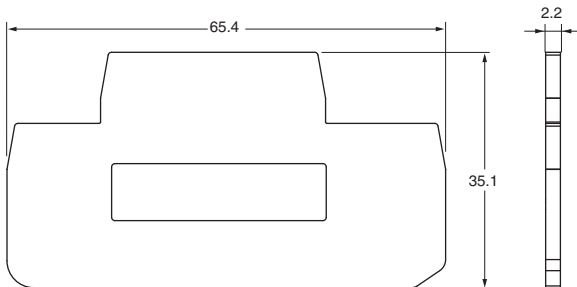
XW5E-P4.0-1.1-1



XW5E-P1.5-2.2-1

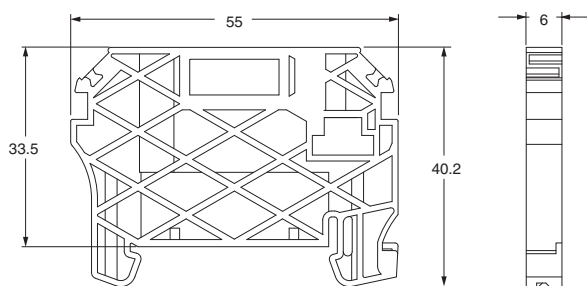


XW5E-P1.5-1.1-2

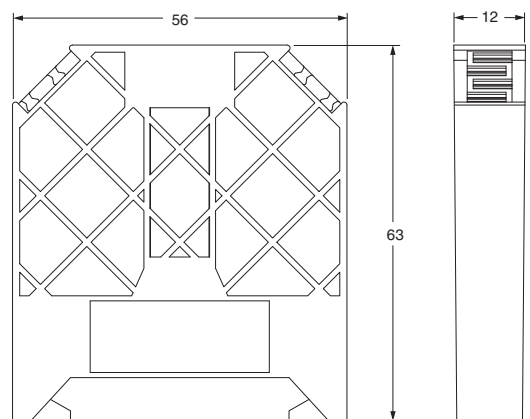


End Brackets/Separator Plates

XW5Z-EP6 (End Brackets)



XW5Z-EP12 (Separator Plates)



Safety Precautions

Warning Indications

Precautions for Safe Use	Supplementary comments on what to do or avoid doing, to use the product safely.
Precautions for Correct Use	Supplementary comments on what to do or avoid doing, to prevent failure to operate, malfunction, or undesirable effects on product performance.

Precautions for Safe Use

- Do not wire anything to the release holes.
- Do not tilt or twist a flat-blade screwdriver while it is inserted into a release hole on the terminal block. The terminal block may be damaged.
- Insert a flat-blade screwdriver into the release holes at an angle. The terminal block may be damaged if you insert the screwdriver straight in.
- Do not allow the flat-blade screwdriver to fall out while it is inserted into a release hole.
- Do not bend a wire past its natural bending radius or pull on it with excessive force. Doing so may cause the wire disconnection.
- Do not insert more than one wire into each terminal insertion hole.
- Do not install the Terminal Block upside down when mounting multiple Terminal Blocks. Doing so may cause short circuits with the adjacent Terminal Block.
- To prevent wiring materials from smoking or ignition, use the wiring materials given in the following table.

	Recommended Wire	Stripping length	
		With Ferrules	Without Ferrules
XW5T-P1.5-□-□□	0.08 to 1.5 mm ² / AWG 28 to 14	8 mm	8 mm
XW5T-P2.5-□-□□	0.25 to 4 mm ² / AWG 24 to 12	10 mm	10 mm
XW5T-P4.0-□-□□	0.25 to 6 mm ² / AWG 24 to 10	12 mm	12 mm

Note: Please use Ferrules with UL certification (R/C).

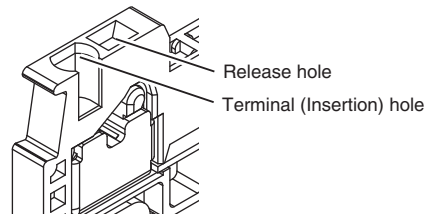
Precautions for Correct Use

1. Precautions for Correct Use

- Do not drop the Terminal Block. Terminal Block functionality may be inhibited.
- Always attach End Cover. Not doing so may cause electrical shock.
- When you wire the Terminal Block, do not subject it or the wires to stress. Secure the wires so that they do not resonate with vibrations from the facilities in installation conditions.
- Always turn OFF the power supply before wiring. Electrical shock may occur.

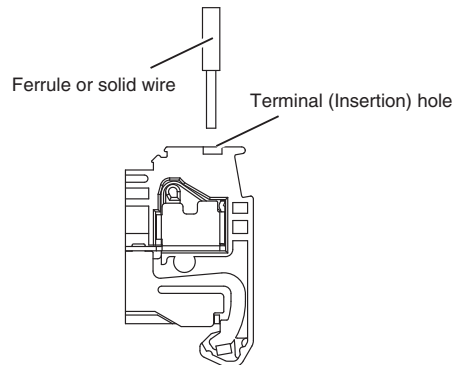
2. Connecting Wires to the Push-In Plus Terminal Block

Part Names of the Terminal Block



Connecting Wires with Ferrules and Solid Wires

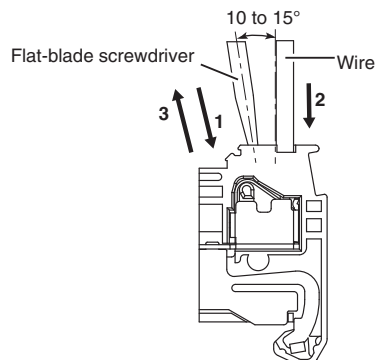
Insert the solid wire or ferrule straight into the terminal block until the end strikes the terminal block. If a wire is difficult to connect because it is too thin, use a flat-blade screwdriver in the same way as when connecting stranded wire.



Connecting Stranded Wires

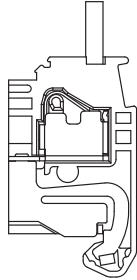
Use the following procedure to connect the wires to the terminal block.

- Hold a flat-blade screwdriver at an angle and insert it into the release hole. The angle should be between 10° and 15°. If the flat-blade screwdriver is inserted correctly, you will feel the spring in the release hole respond.
- With the flat-blade screwdriver still inserted into the release hole, insert the wire into the terminal hole until it strikes the terminal block.
- Remove the flat-blade screwdriver from the release hole.



Checking Connections

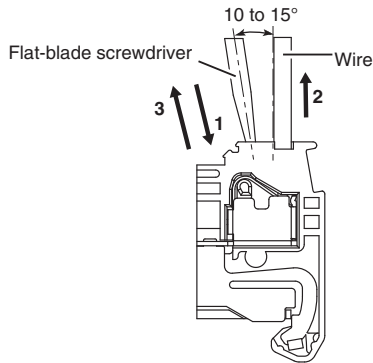
- After the insertion, pull gently on the wire to make sure that it will not come off and the wire is securely fastened to the terminal block.
- To prevent short circuits, insert the stripped part of a stranded or solid wire or the conductor part of a ferrule until it is hidden inside the terminal insertion hole. (See the following diagram.)



3. Removing Wires from the Push-In Plus Terminal Block

Use the following procedure to remove wires from the terminal block. The same method is used to remove stranded wires, solid wires, and ferrules.

1. Hold a flat-blade screwdriver at an angle and insert it into the release hole.
2. With the flat-blade screwdriver still inserted into the release hole, remove the wire from the terminal insertion hole.
3. Remove the flat-blade screwdriver from the release hole.



4. Recommended Ferrules and Crimp Tools

Recommended ferrules

XW5T-P1.5-□-□□

Applicable wire		Ferrule Conductor length (mm)	Recommended ferrules		
(mm ²)	(AWG)		Manufactured by Phoenix Contact	Manufactured by Weidmuller	Manufactured by Wago
0.14	26	8	Al 0.14-8	H0.14/12	---
0.25	24	8	Al 0.25-8	H0.25/12	FE-0.25-8N-YE
0.34	22	8	Al 0.34-8	H0.34/12	FE-0.34-8N-TQ
0.50	20	8	Al 0.5-8	H0.5/14	FE-0.5-8N-WH
0.75	18	8	Al 0.75-8	H0.75/14	FE-0.75-8N-GY
1.00	18	8	Al 1-8	H1.0/14	FE-1.0-8N-RD
Recommended crimp tool			CRIMPFOX6 CRIMPFOX6-F CRIMPFOX10S	PZ6 roto	Variocrimp4

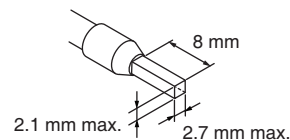
XW5T-P2.5-□-□□

Applicable wire		Ferrule Conductor length (mm)	Recommended ferrules		
(mm ²)	(AWG)		Manufactured by Phoenix Contact	Manufactured by Weidmuller	Manufactured by Wago
0.25	24	10	Al 0.25-10 YE	---	---
0.34	22	10	Al 0.34-10 TQ	---	---
0.50	20	10	Al 0.5-10 WH	H0.5/16	FE-0.5-10N-WH
0.75	18	10	Al 0.75-10 GY	H0.75/16	FE-0.75-10N-GY
1.00	18	10	Al 1-10 RD	H1.0/16	FE-1.0-10N-RD
1.50	16	10	Al 1.5-10 BK	H1.5/16	FE-1.5-10N-BK
2.50	14	10	Al 2.5-10 BU	H2.5/16DS	FE-2.5-10N-BU
Recommended crimp tool			CRIMPFOX6 CRIMPFOX6-F CRIMPFOX10S	PZ6 roto	Variocrimp4

XW5T-P4.0-□-□□

Applicable wire		Ferrule Conductor length (mm)	Recommended ferrules		
(mm ²)	(AWG)		Manufactured by Phoenix Contact	Manufactured by Weidmuller	Manufactured by Wago
0.25	24	12	Al 0.25-12 BU	---	---
0.34	22	12	Al 0.34-12 TQ	---	---
0.50	20	12	Al 0.5-12 WH	---	FE-0.5-12N-WH
0.75	18	12	Al 0.75-12 GY	H0.75/18	FE-0.75-12N-GY
1.00	18	12	Al 1-12 RD	H1.0/18	FE-1.0-12N-RD
1.50	16	12	Al 1.5-12 BK	H1.5/18D	FE-1.5-12N-BK
2.50	14	12	Al 2.5-12 BU	H2.5/19D	FE-2.5-12N-BU
4.00	12	12	Al 4-12 GY	H4.0/20D	FE-4.0-12N-GY
Recommended crimp tool			CRIMPFOX6 CRIMPFOX6-F CRIMPFOX10S	PZ6 roto	Variocrimp4

- Note:**
1. Make sure that the outer diameter of the wire is smaller than the inner diameter of the insulation sleeve of the recommended ferrule.
 2. Make sure that the ferrule processing dimensions conform to the following figure.

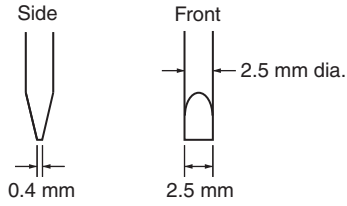


Recommended Flat-blade Screwdriver

Use a flat-blade screwdriver to connect and remove wires.

Use the following flat-blade screwdriver.

The following table shows manufacturers and models as of 2015/Dec.

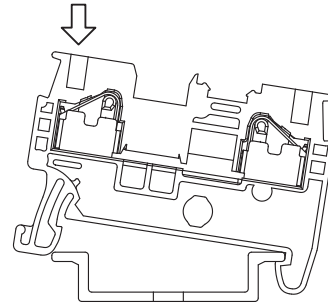


Model	Manufacturer
XW4Z-00B	Omron
ESD0.40×2.5	Wera
SZF 0.4×2.5	Phoenix Contact
0.4×2.5×75 302	Wiha
AEF.2.5×75	Facom
210-719	Wago
SDI 0.4×2.5×75	Weidmuller

5. Mounting to DIN Track/Removing from DIN Track

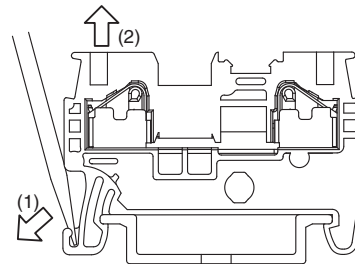
Mounting Method

To mount a Terminal Block to a DIN Track, press it against the DIN Track as shown in the following figure.



Removal Method

To remove a Terminal Block from the DIN Track, catch the tip of a screwdriver in the hook, operate the screwdriver so that the tip moves in direction (1), and then remove the Terminal Block in direction (2). However, do not apply excessive force to the Terminal Block. Doing so may damage it.



6. Storage

Store the Terminal Block within the following temperature range.
-40 to 85°C (with no condensation or icing)

Terms and Conditions Agreement

Read and understand this catalog.

Please read and understand this catalog before purchasing the products. Please consult your OMRON representative if you have any questions or comments.

Warranties.

- (a) Exclusive Warranty. Omron's exclusive warranty is that the Products will be free from defects in materials and workmanship for a period of twelve months from the date of sale by Omron (or such other period expressed in writing by Omron). Omron disclaims all other warranties, express or implied.
- (b) Limitations. OMRON MAKES NO WARRANTY OR REPRESENTATION, EXPRESS OR IMPLIED, ABOUT NON-INFRINGEMENT, MERCHANTABILITY OR FITNESS FOR A PARTICULAR PURPOSE OF THE PRODUCTS. BUYER ACKNOWLEDGES THAT IT ALONE HAS DETERMINED THAT THE PRODUCTS WILL SUITABLY MEET THE REQUIREMENTS OF THEIR INTENDED USE.

Omron further disclaims all warranties and responsibility of any type for claims or expenses based on infringement by the Products or otherwise of any intellectual property right. (c) Buyer Remedy. Omron's sole obligation hereunder shall be, at Omron's election, to (i) replace (in the form originally shipped with Buyer responsible for labor charges for removal or replacement thereof) the non-complying Product, (ii) repair the non-complying Product, or (iii) repay or credit Buyer an amount equal to the purchase price of the non-complying Product; provided that in no event shall Omron be responsible for warranty, repair, indemnity or any other claims or expenses regarding the Products unless Omron's analysis confirms that the Products were properly handled, stored, installed and maintained and not subject to contamination, abuse, misuse or inappropriate modification. Return of any Products by Buyer must be approved in writing by Omron before shipment. Omron Companies shall not be liable for the suitability or unsuitability or the results from the use of Products in combination with any electrical or electronic components, circuits, system assemblies or any other materials or substances or environments. Any advice, recommendations or information given orally or in writing, are not to be construed as an amendment or addition to the above warranty.

See <http://www.omron.com/global/> or contact your Omron representative for published information.

Limitation on Liability; Etc.

OMRON COMPANIES SHALL NOT BE LIABLE FOR SPECIAL, INDIRECT, INCIDENTAL, OR CONSEQUENTIAL DAMAGES, LOSS OF PROFITS OR PRODUCTION OR COMMERCIAL LOSS IN ANY WAY CONNECTED WITH THE PRODUCTS, WHETHER SUCH CLAIM IS BASED IN CONTRACT, WARRANTY, NEGLIGENCE OR STRICT LIABILITY.

Further, in no event shall liability of Omron Companies exceed the individual price of the Product on which liability is asserted.

Suitability of Use.

Omron Companies shall not be responsible for conformity with any standards, codes or regulations which apply to the combination of the Product in the Buyer's application or use of the Product. At Buyer's request, Omron will provide applicable third party certification documents identifying ratings and limitations of use which apply to the Product. This information by itself is not sufficient for a complete determination of the suitability of the Product in combination with the end product, machine, system, or other application or use. Buyer shall be solely responsible for determining appropriateness of the particular Product with respect to Buyer's application, product or system. Buyer shall take application responsibility in all cases.

NEVER USE THE PRODUCT FOR AN APPLICATION INVOLVING SERIOUS RISK TO LIFE OR PROPERTY OR IN LARGE QUANTITIES WITHOUT ENSURING THAT THE SYSTEM AS A WHOLE HAS BEEN DESIGNED TO ADDRESS THE RISKS, AND THAT THE OMRON PRODUCT(S) IS PROPERLY RATED AND INSTALLED FOR THE INTENDED USE WITHIN THE OVERALL EQUIPMENT OR SYSTEM.

Programmable Products.

Omron Companies shall not be responsible for the user's programming of a programmable Product, or any consequence thereof.

Performance Data.

Data presented in Omron Company websites, catalogs and other materials is provided as a guide for the user in determining suitability and does not constitute a warranty. It may represent the result of Omron's test conditions, and the user must correlate it to actual application requirements. Actual performance is subject to the Omron's Warranty and Limitations of Liability.

Change in Specifications.

Product specifications and accessories may be changed at any time based on improvements and other reasons. It is our practice to change part numbers when published ratings or features are changed, or when significant construction changes are made. However, some specifications of the Product may be changed without any notice. When in doubt, special part numbers may be assigned to fix or establish key specifications for your application. Please consult with your Omron's representative at any time to confirm actual specifications of purchased Product.

Errors and Omissions.

Information presented by Omron Companies has been checked and is believed to be accurate; however, no responsibility is assumed for clerical, typographical or proofreading errors or omissions.

OMRON Corporation Industrial Automation Company
Kyoto, JAPAN

Contact: www.ia.omron.com

Regional Headquarters

OMRON EUROPE B.V.

Wegalaan 67-69, 2132 JD Hoofddorp
The Netherlands
Tel: (31)2356-81-300/Fax: (31)2356-81-388

OMRON ELECTRONICS LLC

2895 Greenspoint Parkway, Suite 200
Hoffman Estates, IL 60169 U.S.A.
Tel: (1) 847-843-7900/Fax: (1) 847-843-7787

OMRON ASIA PACIFIC PTE. LTD.

No. 438A Alexandra Road # 05-05/08 (Lobby 2),
Alexandra Technopark,
Singapore 119967
Tel: (65) 6835-3011/Fax: (65) 6835-2711

OMRON (CHINA) CO., LTD.

Room 2211, Bank of China Tower,
200 Yin Cheng Zhong Road,
PuDong New Area, Shanghai, 200120, China
Tel: (86) 21-5037-2222/Fax: (86) 21-5037-2200

Authorized Distributor:

© OMRON Corporation 2016 All Rights Reserved.
In the interest of product improvement,
specifications are subject to change without notice.

CSM_1_3_0816
Cat. No. G124-E1-01

0316(0316)