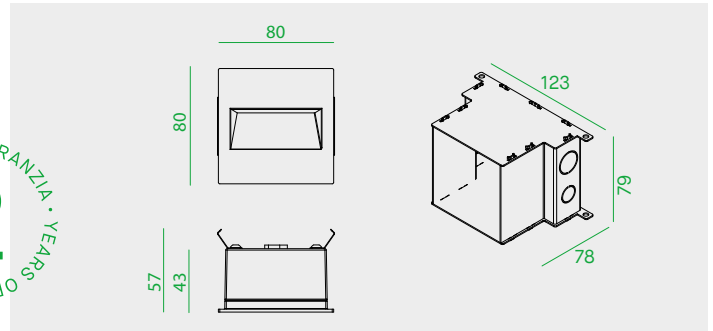




SL05

Code	Nominal/lm	W	CCT	Color
SL05/3K/W	250	5	3000K	<input type="checkbox"/> W
SL05/4K/W	300	5	4000K	<input type="checkbox"/> W
SL05/3K/G	250	5	3000K	<input type="checkbox"/> G
SL05/4K/G	300	5	4000K	<input type="checkbox"/> G
SL05/3K/A	250	5	3000K	<input type="checkbox"/> A
SL05/4K/A	300	5	4000K	<input type="checkbox"/> A

2 ANNI DI GARANZIA • YEARS OF GUARANTEE



Mind in Italy

Incastro a LED per installazione a parete.	LED recessed fitting for wall mounting installation.	Appareil encastré LED pour installation au mur.	LED Wandinbauleuchte.
LED OSRAM	OSRAM LED	LED OSRAM	OSRAM LED
Lifetime 50.000h (rendimento 70%).	Lifetime 50.000h (70% lumen maintenance).	Durée de vie 50.000h (rendement 70%).	Lebensdauer 50.000h (Lichtstrom 70%).
Corpo in alluminio bianco, grigio o antracite. Diffusore in vetro satinato temperato.	White, grey and anthracite aluminium body. Satin-finished tempered glass diffuser.	Corps en aluminium peint blanc, gris ou anthracite. Diffuseur en verre trempé satiné.	Korpus in Weiß, Grau oder Aluminium Anthrazit. Diffusor aus satiniertem gehärtetem Glas.
Cavo in neoprene H05RN-F 3x0.75mm ² di 0,5m.	Neoprene H05RN-F 3x0.75mm ² cable of 0,5m.	Câble en néoprène H05RN-F 3x0.75mm ² de 0,5m.	Neopren kabel H05RN-F 3x0.75mm ² - 0,5m.
Controcassa in lamiera di acciaio zincato inclusa.	Housing in zinc-coated sheet included.	Caisson en tôle d'acier galvanisé inclus.	Gehäuse aus verzinktem Stahlblech enthalten.
Alimentatore 220-240V - 50/60Hz incluso.	220-240V - 50/60Hz power supply included.	Alimentation 220-240V - 50/60Hz incluse.	Netzgerät 220-240V - 50/60Hz enthalten.

