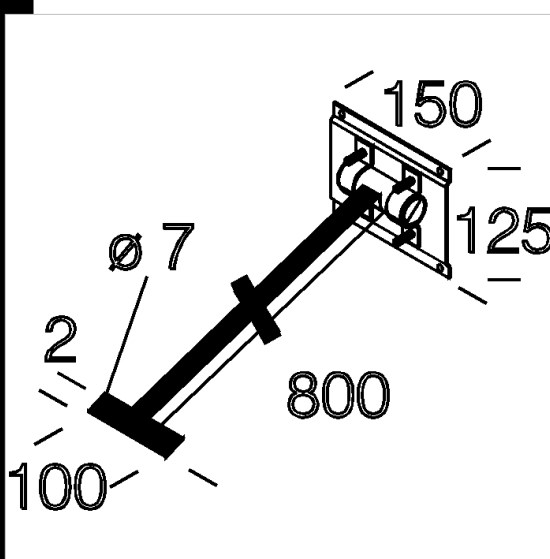
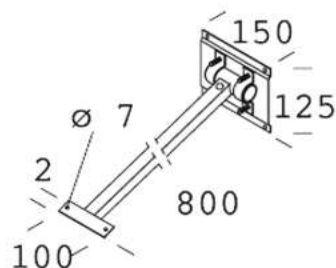


41 Braccio orientabile

In acciaio zincato, verniciato a polvere.
Per art. 1130 - 1131.



Code	Kg	WTot	Colour
995506-00	1,24	0 W	GRAFITE
995507-00	1,26	0 W	GREY9007
995508-00	1,20	0 W	BIANCO

Prodotti



- 1984 Micro Rodio - simmetrico



- 1983 Micro Rodio - simmetrico



- 1980 Micro Rodio - COB



- 1982 Micro Rodio -

The reported luminous flux is the flux emitted by the light source with a tolerance of $\pm 10\%$ compared to the indicated value. The W tot column indicates the total wattage absorbed by the system without exceeding 10% of the indicated