

Junction boxes DE and pushbutton boards PE
pag.1

Junction boxes DS and pushbutton boards PS
pag.3

accessories for DS and PS
pag.6

4. PUSH-BUTTON BOARDS AND JUNCTION BOXES



• WALL-MOUNT FASTENERS

• PUSHBUTTONS

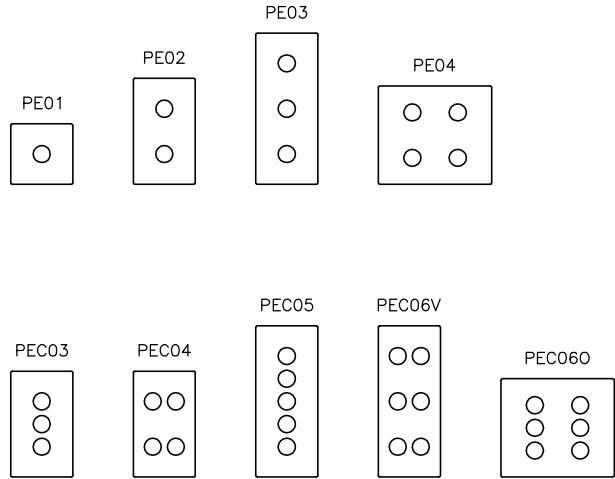
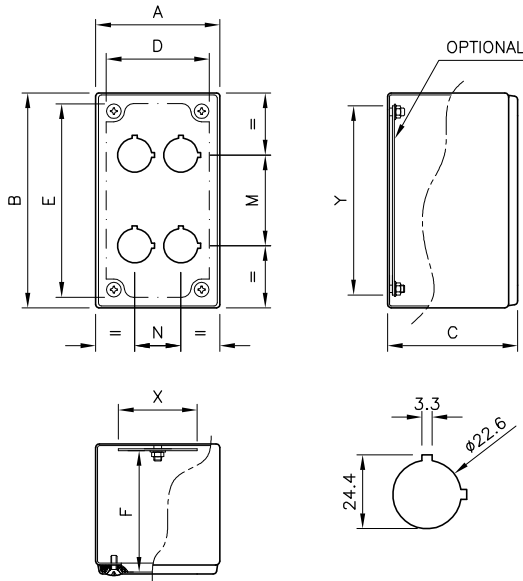
• WIRED PUSHBUTTON

• JUNCTION BOX



PUSHBUTTONS “PE” AND JUNCTION BOX ES “DE”

- EN 1.4301 (AISI 304) s/s execution, thickness 12/10, fine satin-finish. On request, they can be made from other types of s/s and customized to meet specific requirements.
- Cutting-edge welding procedures enable to maintain unaltered the chemical formulation of the material thus avoiding corrosion in the weld areas.
- The cover is secured by screws provided with sealing and leak-proof washers.
- Gasket made of closed-cell foamed silicone rubber, oil-proof and self-extinguishing.
- Protection degree IP66 when appropriate components are properly installed, as per CEI EN 60529 rules.
- Pre-arrangement for earthing in compliance with the applicable rules.
- All boxes feature stud bolts to secure the DIN bar, if any.
- The PE series features drilled cover to accommodate the Ø 22,5 standardized push-button panel.
- Inner plate in sendzimir execution, available on demand from models PE2, DE02, PEC03 and PEC04.



IP66

EN 60 529



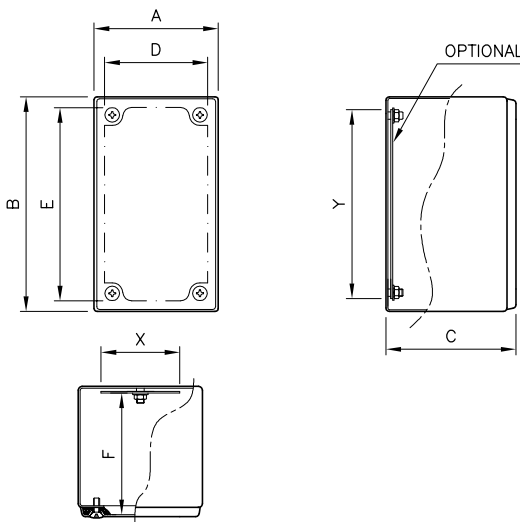
EN 60204-1

89/392/EEC

PUSHBUTTONS "PE"

Detailed drawings per each box can be downloaded from our site www.ilinox.com

ITEM	outside sizes			useful surface			centre distance		MATERIAL		inner plate (optionals)		
	A	B	C	D	E	F	M	N	type	thickness	ITEM	X	Y
PE01/304	82	82	86	68	68	80	-	-	AISI304	12/10	-	-	-
PE02/304	82	142	86	68	128	80	60	-	AISI304	12/10	PI02	125	52
PEC03/304	82	142	86	68	128	80	30	-	AISI304	12/10	PI02	125	52
PEC04/304	82	142	86	68	128	80	60	30,5	AISI304	12/10	PI02	125	52
PE03/304	82	202	86	68	188	80	60	-	AISI304	12/10	PI03	185	52
PEC05/304	82	202	86	68	188	80	30	-	AISI304	12/10	PI03	185	52
PEC06V/304	82	202	86	68	188	80	60	30,5	AISI304	12/10	PI03	185	52
PE04/304	132	152	86	118	138	80	60	60	AISI304	12/10	PI04	135	102
PEC06O/304	132	152	86	118	138	80	60	30	AISI304	12/10	PI04	135	102



IP66

EN 60 529



EN 60204-1

89/392/EEC

JUNCTION BOX ES "DE"

Detailed drawings per each box can be downloaded from our site www.ilinox.com

ITEM	inside sizes			useful surface			MATERIAL		inner plate (optionals)		
	A	B	C	D	E	F	type	thickness	ITEM	X	Y
DE01/304	82	82	86	68	68	80	AISI304	12/10	-	-	-
DE02/304	82	142	86	68	128	80	AISI304	12/10	PI02	125	52
DE03/304	82	202	86	68	188	80	AISI304	12/10	PI03	185	52
DE04/304	132	152	86	118	138	80	AISI304	12/10	PI04	135	102



• WALL-MOUNT FASTENERS



• PUSHBUTTONS



• WIRED PUSHBUTTON

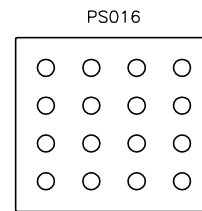
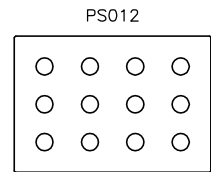
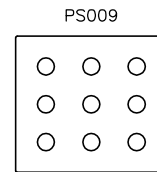
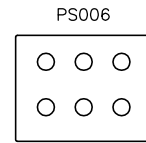
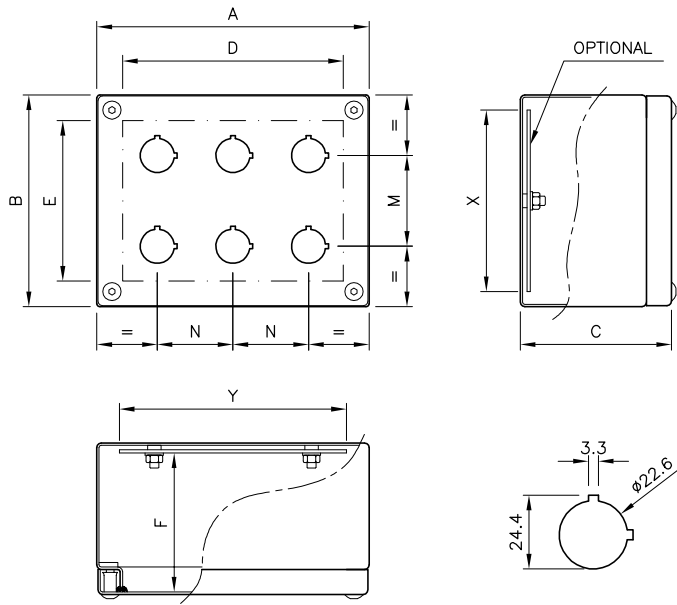


• JUNCTION BOX



“PS” PUSH-BUTTON PANELS AND “DS” JUNCTION BOXES

- EN 1.4301 (AISI 304) s/s execution, thickness 12/10, fine satin-finish. Available on demand in other types of s/s, as well as customized.
- Cutting-edge welding procedures enable to maintain unaltered the chemical formulation of the material thus avoiding corrosion in the weld areas.
- The cover is secured by special “leak-proof” M5 screws.
- Gasket made of closed-cell foamed silicone rubber, oil-proof and self-extinguishing.
- Protection degree IP66, when appropriate components are properly installed, as per CEI EN 60529 rules.
- Pre-arrangement for earthing in compliance with the applicable rules. For the push-button panel, a special collar of tinned brass is supplied for positioning under a block, in direct contact with the sheet.
- On the bottom are applied S/S M6 stud bolts to secure structural steel and bars.
- The PS series has a drilled cover to accommodate the Ø 22,5 standardized push-button panel.
- Inner plate in sendzimir execution (on request).
- The enclosures of the series PS-DS can be pressurized according to CEI 64-2 and CEI 31-1 for A-SI security systems and enclosures featuring Ex-p inside overpressure.



PUSHBUTTONS "PS"

Detailed drawings per each box can be downloaded from our site www.ilinox.com

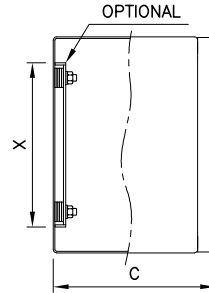
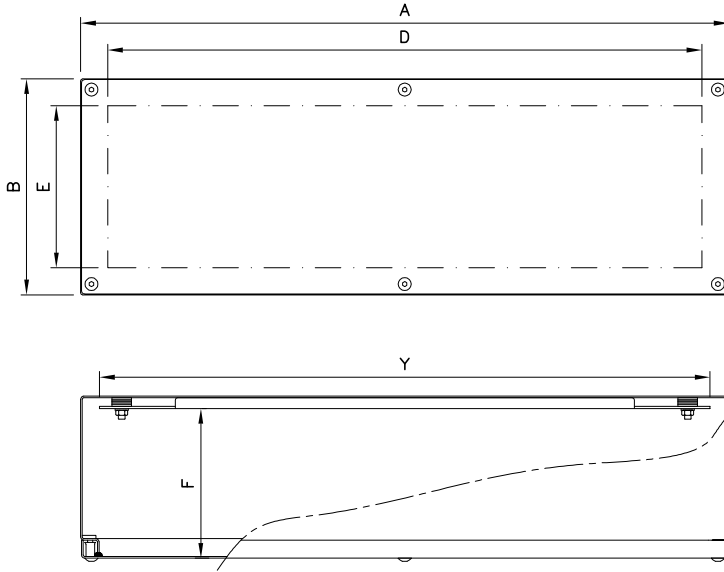
ITEM	outside sizes			useful surface			centre distance		Material			inner plate (optional)		
	A	B	C	D	E	F	M	N	type	spess. cop.	spess. fasc.	ITEM	X	Y
PS6H/304	190	150	100	150	110	90	60	50	AISI304	15/10	12/10	PI006	172	110
PS9H/304	210	190	100	170	150	90	50	60	AISI304	15/10	12/10	PI009	192	150
PS12H/304	270	190	100	230	150	90	50	60	AISI304	15/10	12/10	PI012	252	150
PS16H/304	270	240	100	230	200	90	50	60	AISI304	15/10	12/10	PI016	252	200
PS06H/316	190	150	100	150	110	90	60	50	AISI316L	15/10	15/10	PI006	172	110
PS09H/316	210	190	100	170	150	90	50	60	AISI316L	15/10	15/10	PI009	192	150
PS12H/316	270	190	100	230	150	90	50	60	AISI316L	15/10	15/10	PI012	252	150
PS16H/316	270	240	100	230	200	90	50	60	AISI316L	15/10	15/10	PI016	252	200

UL certification to be requested with the order

IP66 EN 60 529

TYPE NEMA 4X,12, 1, 4
 Standard UL508A - UL50 Standard 250

EN 60-204-1 89/392/EEC



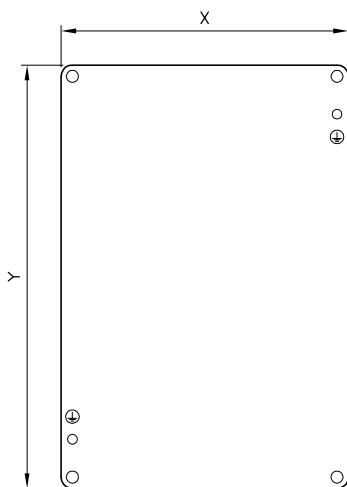
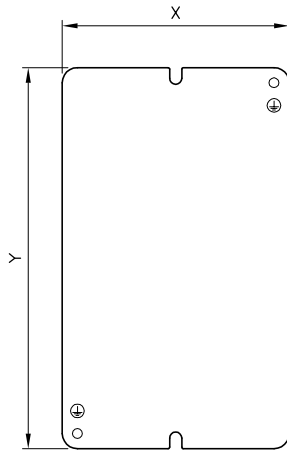
JUNCTION BOX ES "DS"

Detailed drawings per each box can be downloaded from our site www.ilinox.com

	IP66	EN 60 529
	TYPE NEMA 4X, 12, 1, 4	Standard UL508A - UL50 Standard 250
		EN 60-204-1 89/392/EEC

ITEM	outside sizes			useful surface			material			inner plates (optional)		
	A	B	C	D	E	F	type	spess. cop.	spess. fasc.	ITEM	X	Y
DS006/304	190	150	125	150	110	115	AISI304	15/10	12/10	PI006	172	110
DS009/304	210	190	125	170	150	115	AISI304	15/10	12/10	PI009	192	150
DS012/304	270	190	125	230	150	115	AISI304	15/10	12/10	PI012	252	150
DS016/304	270	240	125	230	200	115	AISI304	15/10	12/10	PI016	252	200
DS020/304	320	230	150	280	190	140	AISI304	15/10	12/10	PI020	280	190
DS025/304	320	280	150	280	240	140	AISI304	15/10	12/10	PI025	280	240
DS043/304	400	300	150	360	260	140	AISI304	15/10	12/10	PI043	360	260
DS006/316	190	150	125	150	110	115	AISI316L	15/10	15/10	PI006	172	110
DS010/316	210	210	125	170	170	115	AISI316L	15/10	15/10	PI010	192	170
DS012/316	270	190	125	230	150	115	AISI316L	15/10	15/10	PI012	252	150
DS016/316	270	240	125	230	200	115	AISI316L	15/10	15/10	PI016	252	200
DS020/316	320	230	150	280	190	140	AISI316L	15/10	15/10	PI020	280	190
DS025/316	320	280	150	280	240	140	AISI316L	15/10	15/10	PI025	280	240
DS040/316	400	200	150	360	160	140	AISI316L	15/10	15/10	PI040	360	160
DS060/316	600	200	150	550	150	140	AISI316L	15/10	15/10	PI060	565	152

UL certification to be requested with the order

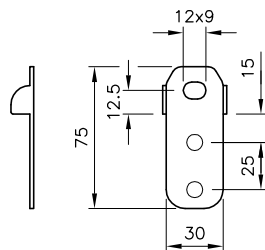


INNER PLATES

Available starting from models PS02, DS02, PE02, DE02, PEC03 and PEC04, they come in sendzimir execution and, on demand, in s/s. The plate is secured by the stud bolts set inside the enclosure.

ITEM	sizes		for box
	X	Y	
PI02	125	52	PE02 - DE02 - PEC03 - PEC04
PI03	185	52	PE03 - DE03 - PEC05 - PEC06V
PI04	135	102	PE04 - DE04 - PEC060
PI006	172	110	PS006 - DS006
PI009	192	150	PS009 - DS009
PI010	192	170	DS010
PI012	252	150	PS012 - DS012
PI016	252	200	PS016 - DS016

ITEM	sizes		for box
	X	Y	
PI020	280	190	DS020
PI025	280	240	DS025
PI040	360	160	DS040
PI043	360	260	DS043
PI060	565	152	DS060



WALL-MOUNT FASTENERS

AISI 316 s/s execution, they come in assembling kit and can easily be applied by drilling two holes $\varnothing 8$ in the enclosure bottom. Water proofing and tightness to dust remains unchanged since they are equipped with suitable seals.

- **SP021** 2-pcs kit .
- **SP025** 4-pcs kit (for DS40, DS43, DS60)

OTHER ACCESSORIES

in the section “accessories for SMALL CABINETS”



CABLE GLANDS



GRIP HANDLES



ELECTROCONDUCTIVE GASKET

in the section “accessories for CABINETS”