

Proximity Magnetic Sensors Level Magnetic Sensors ILM Series

CARLO GAVAZZI



- Spheric AISI 316 stainless steel housing
- NO, NC or CO output functions
- Silicone or PVC cable output connection
- Reversible output function by float overturning

Product Description

The ILM models, made of stainless steel, are composed by a float sliding all along a rod. By a simple rod or float overturning it is possible to reverse the output function.

Ordering Key

ILM S 2

Type _____
 Output function _____
 Reed contact type _____

Type Selection

Float diameter	Connection	Output function	Reference
Ø 53	Silicone cable L= 0.5m	NO, NC*	ILM 2
Ø 53	Silicone cable L= 0.5m	NO, NC*	ILM 8
Ø 53	Silicone cable L= 0.5m	CO	ILM S 2

Diameters are specified in millimeters (mm)

*Reversible output function by float overturning

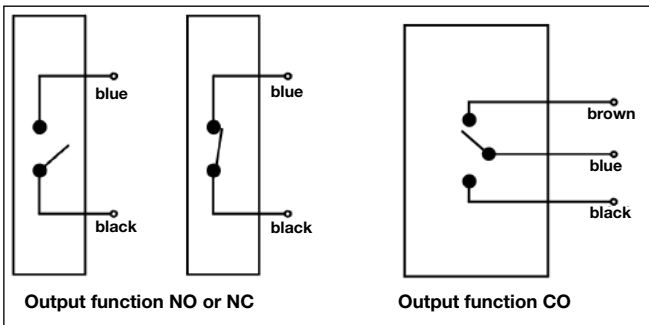
Output Specifications

Output ILM2, ILM8 ILMS2	NO, NC Change-over
Contact ratings	
Max Switching Voltage	
ILM2	250 VAC
ILM8	1500 VAC
ILMS2	230 VAC
Max Switching Current	
ILM2	3 A
ILM8	3 A
ILMS2	1 A
Max Switching Power	
ILM2	100 VA
ILM8	120 VA
ILMS2	60 VA

General Specifications

Operating temperature	-25 to +120 °C
Degree of protection	IP 67
Float	
Diameter	Ø 53 mm
Material	AISI 316 stainless steel
Min liquid specific gravity	0.75 kg/dm ³
Max pressure	20 kg/cm ²
CE-marking	Yes

Wiring Diagrams



Dimensions

